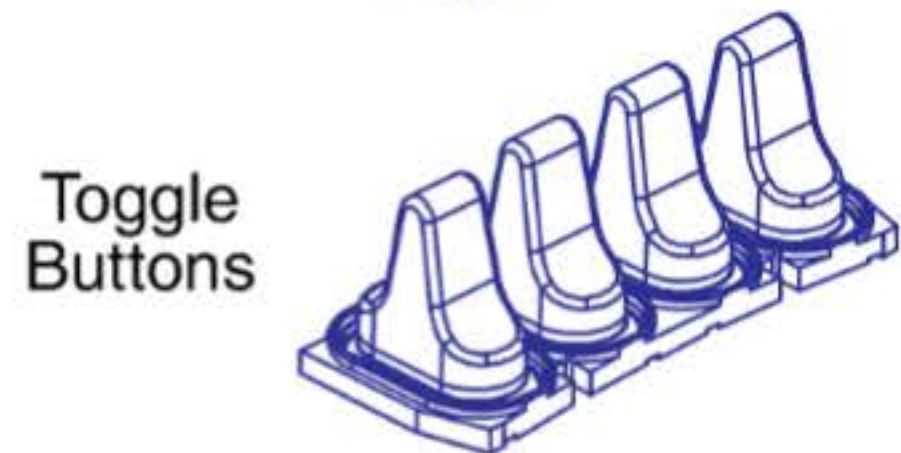
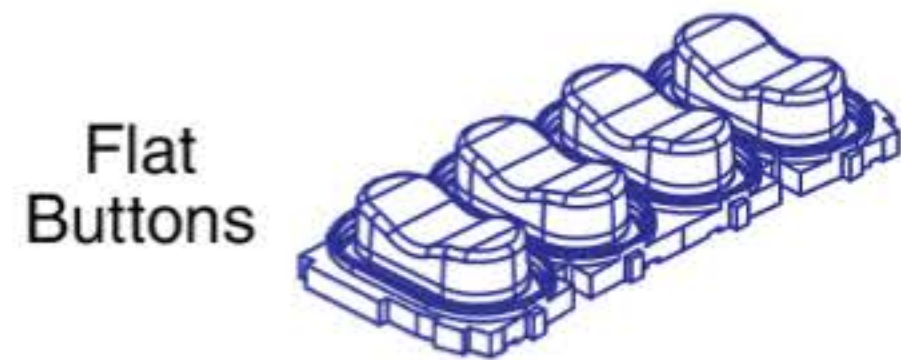
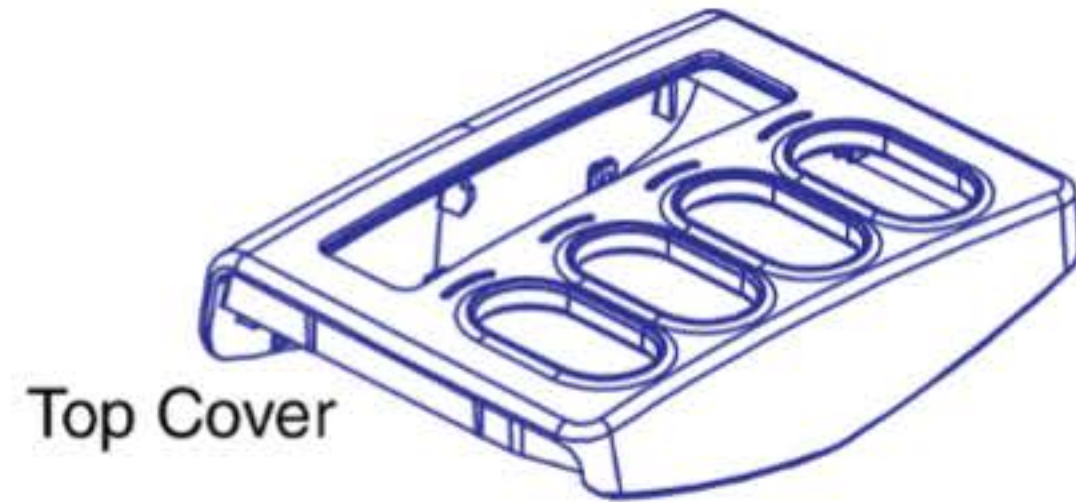


A1

KIT1910429 - Replacement Parts Kit, Top Cover, Flat & Toggle Buttons w/ Installation Instructions, Q-Logic 3



See the Installation Instructions for a step by step guide to removing and replacing the buttons.

